



Linde Material Handling

Linde



Tow Tractor

P40 C B | P40 C | P60 C

Capacity 4.0 t, 6.0 t | Series 4595

Dynamic tower

- High maneuverability facilitates use in confined spaces
- Powerful motor ensures high tractive power and top speed
- Large selection of trailer couplings for different trailer types
- Special vehicle design allows optimum visibility of trailer and load
- Sprung operator's platform protects against shocks and vibrations
- Height-adjustable Linde steering wheel provides intuitive and precise control

TECHNICAL DATA (According to VDI 2198)

			P40 C B	P40 C	P60 C	
	1.1	Manufacturer	LINDE	LINDE	LINDE	
Characteristics	1.2	Model	P40 C B	P40 C	P60 C	
	1.2.a	Series	4595	4595	4595	
	1.3	Power Unit	Electric	Electric	Electric	
	1.4	Operation	Stand-on	Stand-on	Stand-on	
	1.5	Load capacity/Load	Q (t)	4.0	4.0	6.0
	1.7	Rated tractive force	F (N)	800	800	1200
	1.9	Wheelbase	y (mm)	1032 ¹⁾	1032 ¹⁾	1032 ¹⁾
Weights	2.1	Service weight	(kg)	1009	1014	1014
	2.3	Axle load without load, front/rear	(kg)	566/443	571/443	571/443
Wheels / Tyres	3.1	Tyres rubber, SE, pneumatic, polyurethane	Polyurethane	Polyurethane	Polyurethane	
	3.2	Tyre size, front	230 × 90	254 × 102	254 × 102	
	3.3	Tyre size, rear	250 × 80	250 × 80	250 × 80	
	3.4	Auxiliary wheels (dimensions)	100 × 40	100 × 40	100 × 40	
	3.5	Wheels, number front / rear (x = driven)	1x - 2/2	1x - 2/2	1x - 2/2	
	3.6	Track width, front	b10 (mm)	580	580	580
	3.7	Track width, rear	b11 (mm)	654	654	654
Dimensions	4.8	Height of seat/stand on platform	h7 (mm)	130 ²⁾ // 918/1058 ^{2) 4)}	130 ²⁾ // 918/1058 ^{2) 4)}	130 ²⁾ // 918/1058 ^{2) 4)}
	4.9	Height of tiller arm in operating position, min/max	h14 (mm)	1258 ^{2) 5)}	1258 ^{2) 5)}	1258 ^{2) 5)}
	4.12	Towing coupling height	h10 (mm)	210/265/320	210/265/320	210/265/320
	4.17	Rear overhang	l5 (mm)	200/260 ⁶⁾	200/260 ⁶⁾	200/260 ⁶⁾
	4.19	Overall length	l1 (mm)	1416/1476 ^{1) 6)}	1416/1476 ^{1) 6)}	1416/1476 ^{1) 6)}
	4.21	Overall width	b1/b2 (mm)	800	800	800
	4.32	Ground clearance, centre of wheelbase	m2 (mm)	50 ²⁾	50 ²⁾	50 ²⁾
4.35	Turning radius	Wa (mm)	1229	1229	1229	
Performance	5.1	Travel speed, with / without load	(km/h)	8/10	8/13	8/13
	5.1.1	Travel speed, laden/unladen, backwards	(km/h)	6/6	6/6	6/7
	5.5	Tractive force, with / without load	(N)	800	800	1200
	5.6	Max. drawbar pull, laden/unladen S2 = 5 min	(N)	3040 ⁷⁾	3400 ⁷⁾	3400 ⁷⁾
	5.8	Maximum climbing ability, with / without load	(%)	see diagram	see diagram	see diagram
	5.9	Acceleration time, with / without load	(s)	7.4/5.0	7.4/5.0	8.2/5.0
	5.10	Service brake		Electromagnetic	Electromagnetic	Electromagnetic
Drive	6.1	Drive motor rating S2 60 min	(kW)	2.3	3.0	3.0
	6.3	Battery according to DIN 43531/35/36 A, B, C, no		no	no	no
	6.4	Battery voltage / rated capacity (5 h)	(V) / (Ah)	24/345 - 465	24/345 - 465	24/345 - 465
	6.5	Battery weight (± 5 %)	(kg)	402	402	402
	6.6	Energy consumption according to DIN EN 16796	(kWh/h)	0.96	1.63	2.20
	6.6.2	CO ₂ equivalent emissions	(kg/h)	0.5	0.9	1.2
	6.7	Turnover output		312	380	540
6.8.1	Energy consumption at turnover output		3.3	2.35	3.7	
Others	8.1	Type of drive unit		AC control	AC control	AC control
	10.7	Sound level at driver's ear	(dB(A))	< 70	< 70	< 70

1) With tray 4 Pz or Li-ION + 114 mm

2) With optional ground clearance m2 = 100 mm + 50 mm

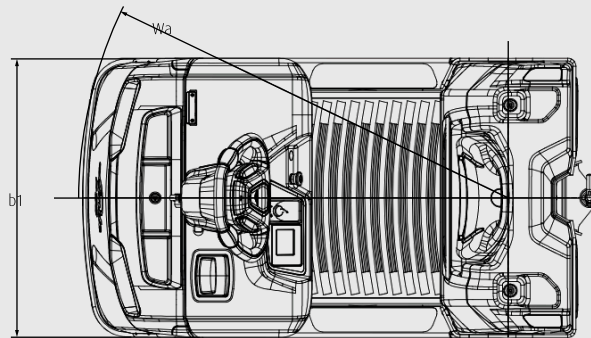
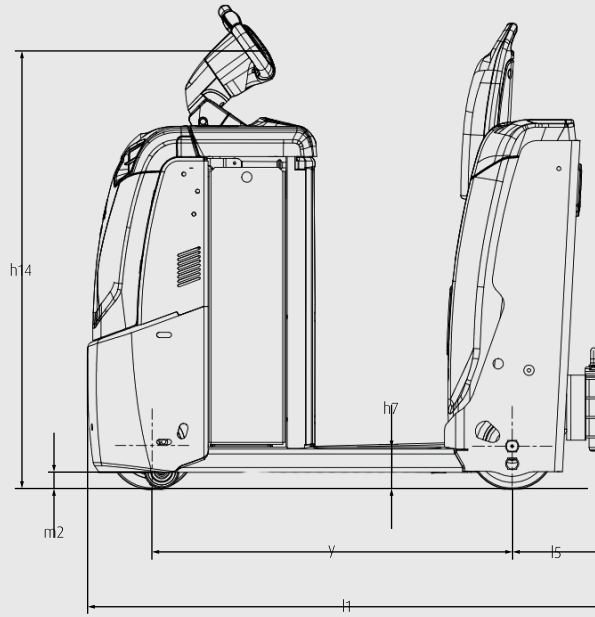
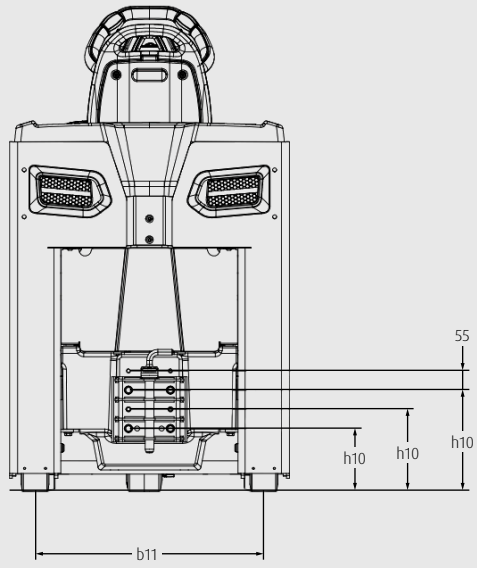
3) Optional equipment

4) With optional equipment fully suspended operator compartment only

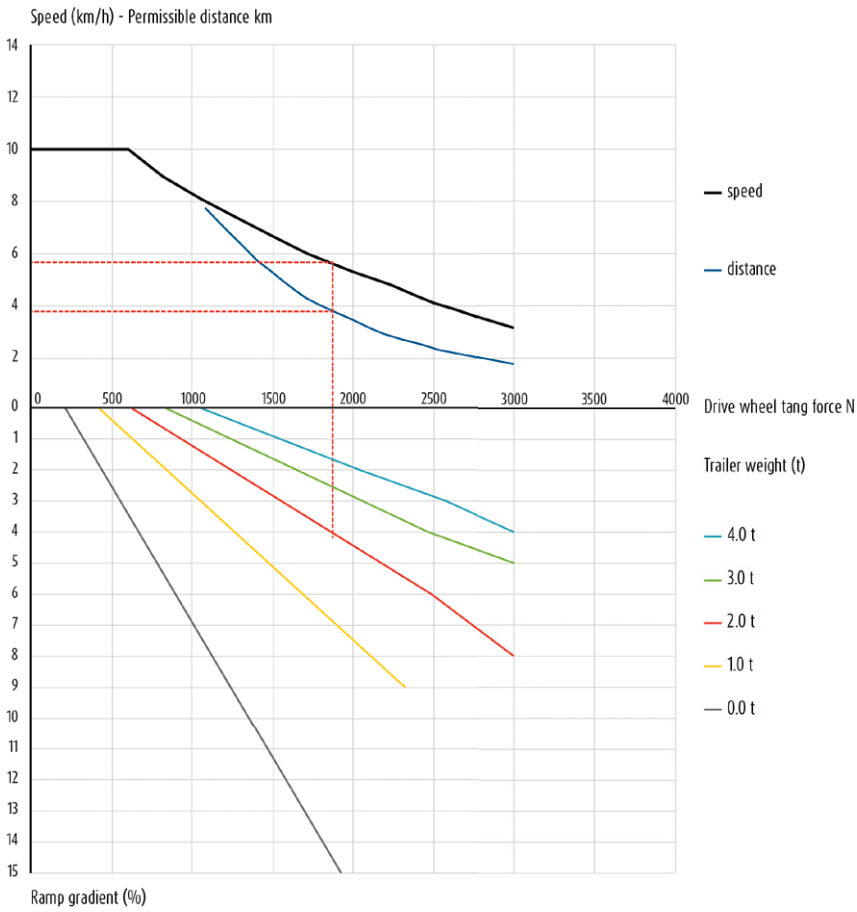
5) With tiller adjustment option, h14 setting range = +89 mm, -19 mm

6) Without coupling / with three level coupling

7) With Li-ION battery the value is 1750 N for P40 C and P60 C; for P40 C B with Li-ION battery and any different combination of forces and time, please contact your sales representative



TOW DIAGRAM

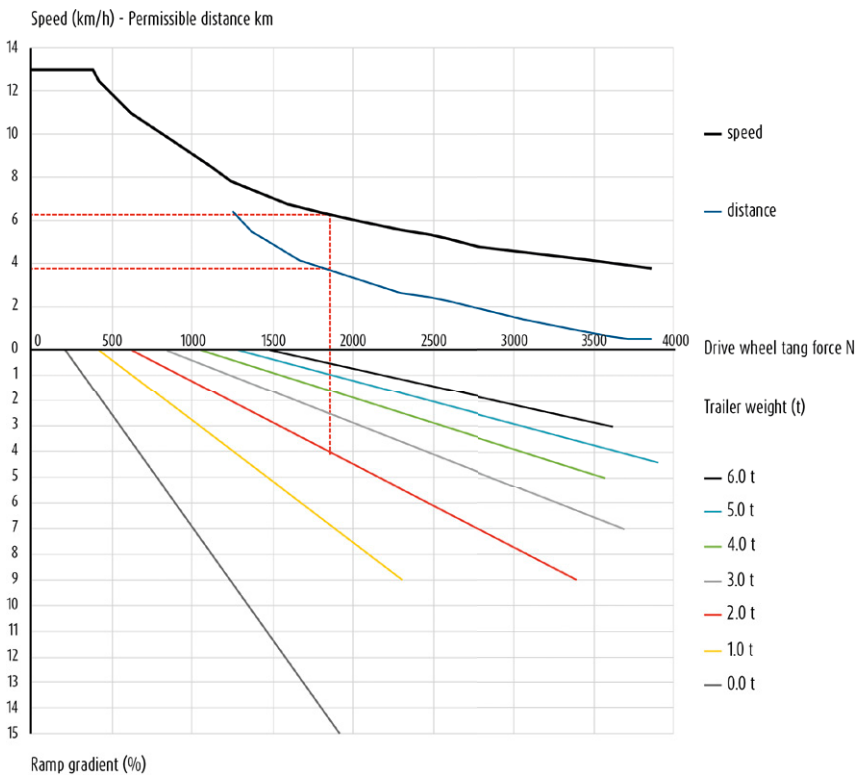


P40 C B

The example shown illustrates

A tractor towing	2 t
operating on a ramp of	4 %
maximum travelling speed reachable	5.7 km/h
length of ramp	3.9 km

It is recommended that self braked trailers be used when the trailer weight is more than 2.5 t and for all trailer loads when driving on upward/downward inclines.



P40 C - P60 C

The example shown illustrates

A tractor towing	2 t
operating on a ramp of	4 %
maximum travelling speed reachable	6.2 km/h
length of ramp	3.8 km

It is recommended that self braked trailers be used when the trailer weight is more than 2.5 t and for all trailer loads when driving on upward/downward inclines.

STANDARD AND OPTIONAL EQUIPMENT

Model/Equipment		P40 C B	P40 C	P60 C
Safety	Front anti-collision guard, rubber – low position	○	○	○
	Front anti-collision steel guard – high position	○	○	○
	Front anti-collision steel guard – high position with low rubber protection	○	○	○
	Front anti-collision steel guard – fully rounded	○	○	○
	Front anti-collision steel guard – fully rounded, including additional 3-level trailer coupling (max. towing capacity 1.0 t)	○	○	○
	Rear feet protection	○	○	○
	Key switch	●	●	●
	Log in PIN Code	○	○	○
	Audible sound warning	○	○	○
	Linde BlueSpot™	○	○	○
	Working lamp	○	○	○
	Front and reverse LED lights	–	○	○
Complete lighting package (including front and rear LED, turning indicators, working and brake light as well as reversing light)	–	○	○	
Service	CAN bus architecture	●	●	●
Digitalisation	Linde connect: desk	○	○	○
	ac: access control (Pin or RFID)	○	○	○
	dt: crash detection	○	○	○
	an: usage analysis	○	○	○
	Linde connect: cloud	○	○	○
	Basic Package (trouble codes, operating hours, truck mapping)	○	○	○
	Data Transmission (Wifi or Online)	○	○	○
Operation / Load Handling	Ground clearance (h = 50 mm)	●	●	●
	Ground clearance (h = 100 mm)	–	○	○
	Inching control (forward/backward)	○	○	○
Workplace	Operator cabin (available upon request)	○	○	○
	Platform with damping mat	●	●	●
	Fully suspended operator compartment	–	○	○
	Knee protection	○	○	○
	Adjustable backrest	○	○	○
	Adjustable backrest with foldable seating support	–	○	○
	Height adjustable Linde Steering Wheel	○	○	○
	Dashboard with storage compartment (without A4 Clipboard)	○	○	○
	Multifunction coloured display hourmeter, maintenance indication, battery discharge indicator and internal fault code indication	–	●	●
	Front accessory support	○	○	○
	Rear accessory support	○	○	○
	Front panoramic and rear side mirrors	○	○	○
	Support data terminal and power supply cable 24 V	○	○	○
	Support for scanner and clipboard	○	○	○
	Shrink wrap holder	○	○	○
Electrical socket 12 V or USB	○	○	○	
Attachement / Forks	Hook single position	○	○	○
	Hook 3 positions	○	○	○
	Manual wire guided hook	○	○	○
	Rockinger 244D auto	○	○	○
	LKE HOOK	○	○	○
	Logistic Train Modification (includes Remote control, 36 V electrical preparation, attaching socket at the rear and coupling ball for hooking)	○	○	○
Axles and Tyres	Drive wheel polyurethane	●	●	●
	Drive wheel cushion rubber, non marking, wet grip	○	○	○
	Load wheels polyurethane	●	●	●
	Load wheels cushion rubber, non marking	○	○	○
	Tandem castor wheels	●	●	●
Drive and Brake-System	Battery compartment, vertical change 3 PzS (300 Ah/375 Ah) and 4 PzS (480 Ah/620 Ah)	○	○	○
	Battery compartment, lateral change 3 PzS (300 Ah/375 Ah) and 4 PzS (400 Ah/500 Ah), incl. ergonomic lever and metal rollers	○	○	○
	Battery compartment, lateral change high 3 PzS (360 Ah/465 Ah) and 4 PzS (480 Ah/620 Ah)	○	○	○
	Battery compartment, Li-ION battery 4.5 kWh (205 Ah)/9.0 kWh (410 Ah) incl. side plug for opportunity charging	○	○	○
	Compatibility kit for competitor batteries	○	○	○
	Lead acid on-board charger 60 Ah (Li-ION on-board charger 35 Ah available upon request)	○	○	○
Li-ION 24 V Charger	○	○	○	

● Standard equipment ○ Optional equipment – Not available

CHARACTERISTICS



Linde BlueSpot™ and lighting package

Safety

- The body and limbs of the driver always remain within the protective vehicle contours
- Rugged bumper for collision protection
- Vehicle automatically reduces speed when cornering
- Access control prevents unauthorized access to the vehicle
- Comprehensive, optional lighting systems improve driver visibility and vehicle visibility



Comfortable operator compartment

Ergonomics

- Adjustable backrest, foldable seat and plenty of legroom for fatigue-free work
- Individually adjustable Linde steering wheel with intuitive controls ensures maximum driver comfort and precise control of the vehicle
- Full-suspension driver's platform protects against shocks and vibrations
- Wide entry with low step height protects the driver's strength
- Spacious storage compartments facilitate the storage of work utensils



Intuitive Linde steering wheel

Handling

- Powerful, low-maintenance motor for tractive effort and high top speed
- Good visibility of trailer and load facilitates load transport
- Large selection of trailer couplings for different trailer types
- Short turning radius optimally supports maneuvering in confined spaces
- In addition to lead-acid batteries and lithium-ion batteries are optionally available as energy sources



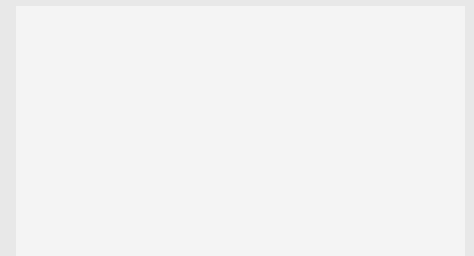
Robust chassis

Service

- Low maintenance design for high vehicle availability
- Relubrication of the drive wheel only necessary after 10000 operating hours
- Easy access to all major vehicle components simplifies maintenance
- Clear cable routing reduces the duration of maintenance work

Subject to modification in the interest of progress. Illustrations and technical details could include options and not binding for actual constructions. All dimensions subject to usual tolerances.

Presented by:



Linde Material Handling GmbH
Carl-von-Linde-Platz | 63743 Aschaffenburg | Germany
Phone + 49 6021 99 0 | Fax + 49 6021 99 1570
www.linde-mh.com | info@linde-mh.com

Printed in Germany | 140.e.0,5.0321.IndC.Ki